

HEATED ICE SCRAPER

USER MANUAL



SAFETY INFORMATION:

Please read and understand this entire manual before attempting to operate or handle the product. Misuse may result in serious injury and/or property damage.

FEATURES:

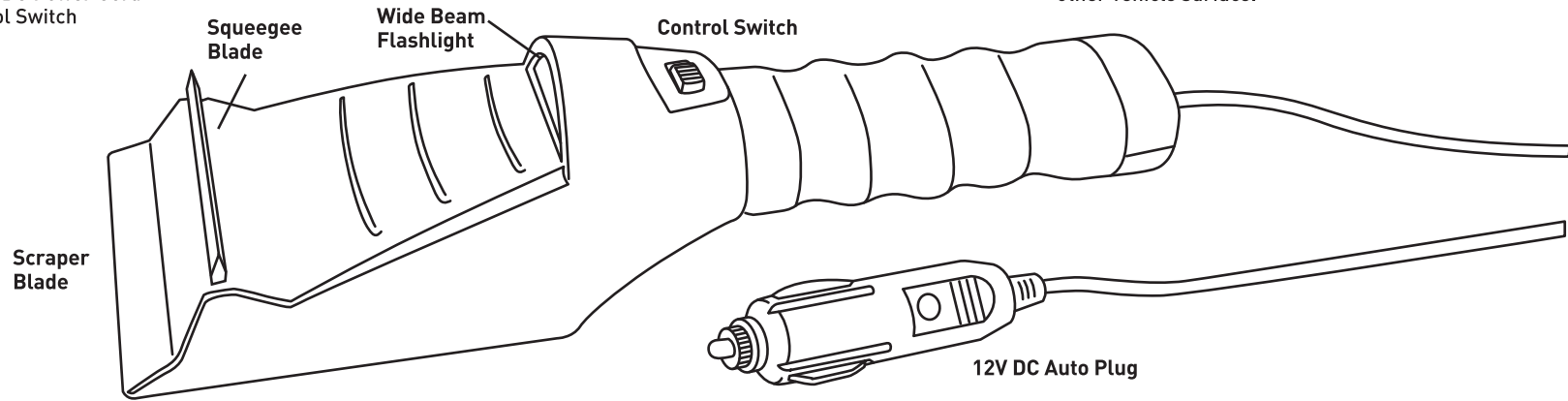
Scraper Blade
Squeegee Blade
Metal Heating Element
Wide Beam Flashlight
12V DC Auto Plug
15 FT. DC Power Cord
Control Switch

OPERATING INSTRUCTIONS:

1. Insert the 12V plug into auto power outlet.
2. Locate the control switch on top of ice scraper.
3. Move switch to HOT (middle position).
4. Allow the heating element to warm (2 to 4 minutes).
5. Hold the Ice Scraper over frozen glass surface for several seconds.

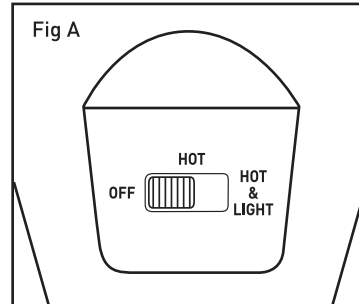
6. Once melting begins, scrape the ice with the scraper blade moving to another area as needed.
7. Use the squeegee blade to remove any remaining moisture as needed.
8. Unplug the scraper after use and allow to cool for 3 to 5 minutes before storing.

CAUTION: Do not leave ice scraper in one location longer than 2 minutes. The heating element should never make direct contact with glass or other vehicle surface.



FLASHLIGHT OPERATION

1. Locate control switch on top of ice scraper.
2. To activate lighting function slide switch (Fig A) to far right position. This turns on flashlight and heating element together.
3. To turn off, slide switch left to HOT setting or slide to far left position to turn off completely.



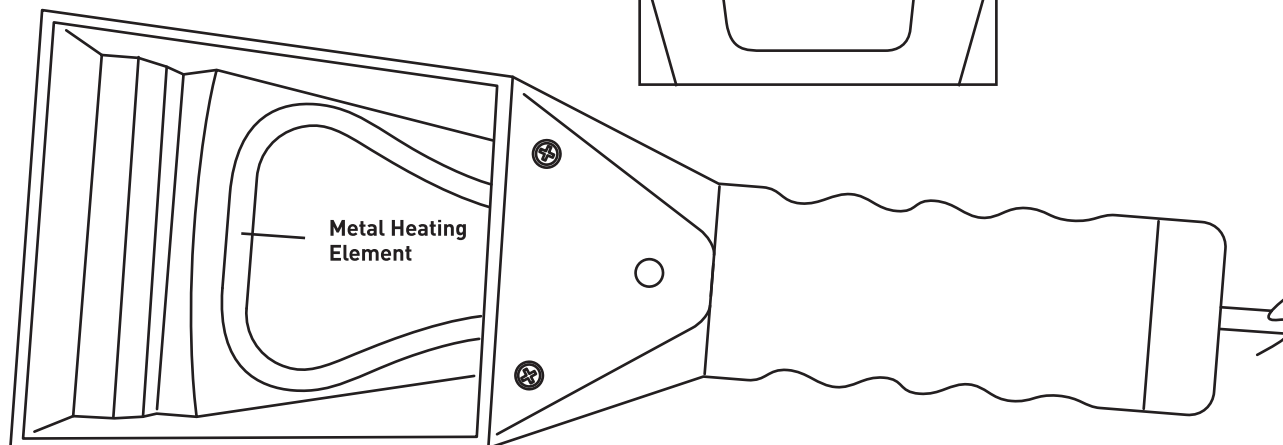
CARE INSTRUCTIONS:

Once Ice Scraper is cool to the touch, wipe clean with damp soft cloth. Dry completely with soft cloth. DO NOT use abrasives or cleansers as they will damage the finish. Store in dry area away from moisture.

WARNING:

THIS IS NOT A TOY! KEEP AWAY FROM CHILDREN.

CAUTION: Heating element gets very hot and can cause burns and start a fire. Be careful not to expose the heating element to skin, clothing or any of the vehicle surfaces other than glass. Do not leave the ice scraper unattended when plugged into 12V power outlet. Never place the ice scraper directly on glass or the vehicles interior surfaces. Do not use on plexiglass or on plastic windows of convertibles.



14023 Catalina Street
San Leandro, CA 94577

© 2014 JLR Gear – Made In China

Any questions, please call Customer Service at 1-800-254-0111
8:30 a.m. – 5 p.m., PST, Monday-Friday or email us at
customerservice@jlrgear.com